

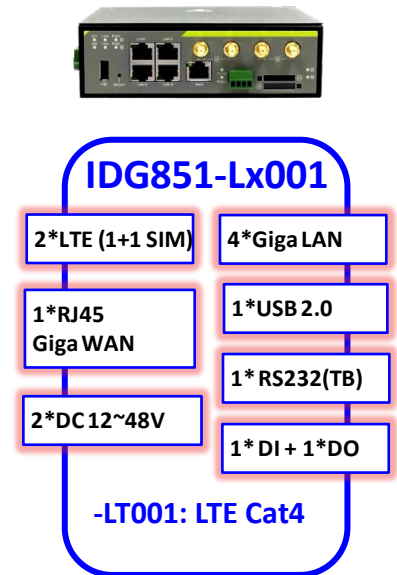


4G Advanced M2M GW IDG851-LT001

Functions:

- Expanding LTE based WAN connection for various IP networks at instant, including enterprise, industry, surveillance, WiFi hotspot network.
- To be primarily or backup WAN for IP network enhances connection. It can expand fail-over for network at single WAN between LTE and Ether-WAN. There are dual SIMs for single LTE to achieve ISP fail-over when primarily fail.
- Compact and easy to be integrated into solution. High speed device covers LTE Cat4/6/9 and four port Giga LAN. USB for log storage and future expansion.
- Capable of rich VPN tunnel technology and high throughput up to 150Mbps can build VPN tunnel between IP network/network device with remote center or allow clients to connect in for secure data transmission.
- Cellular toolkit simplifies setting and utilizes ISP service. Data usage monitoring for budget control. Self-defined SMS commands for easy and quick management.
- Both IPv4/IPv6 protocol stack meet ISP requirement. Gateway base on IP pass through or DHCP based NAT with Port Forwarding. Rich Routing function covers static, dynamic and OSPF compatible with most IP network.
- Web-UI for basic setting. CLI and Command Script for advance setting. TR-069 used with AMIT-ACS for multi-site management. SNMP used for popular network tools management. SDK used for application expansion development.

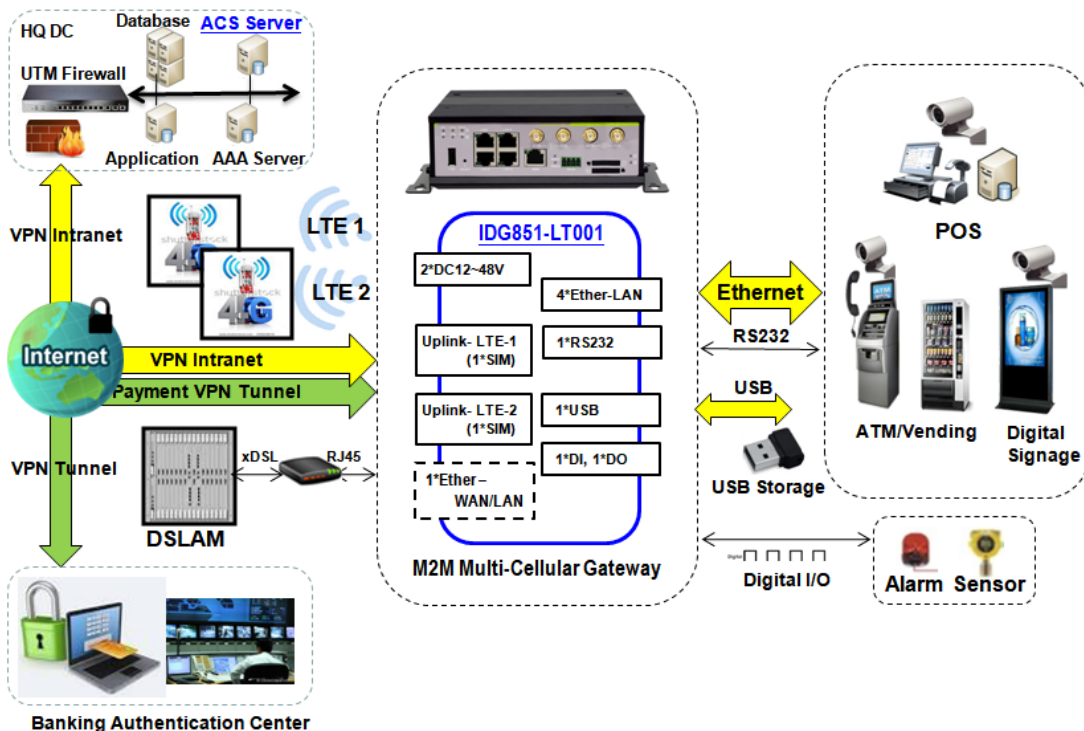
Block Diagram:



Application:

- SMB data center network backup
- Remote branch network
- Surveillance network
- High speed video server

Connection Diagram:



Specification Summary

Device Interface

- **LTE Module:** 2*LTE-Cat.4/Cat.6, 2*SIM
- **Ethernet :** (1+4)*RJ45 GE
- **Log Storage:** 1*USB 2.0
- **Power Input :** 2* DC 12V ~ 48V (Terminal Block)
- **Antenna Con.:** 4*SMA (F)-LTE
- **Comm. Bus:** 1*RS232 (4-pin Terminal Block)
- **I/O:** 1*DI ("Logic 0": 0~2V, "Logic 1": 5V~30V), 1*DO (Relay Mode, up to 30V / 1A)

WAN & Uplink

- **WAN:** Cellular, Ether-WAN; Failover, Load Balance
- **Cellular:** 3GPP, 2G/3G/LTE, IP Pass-through, IPv4/6
- **Ether-WAN:** Dynamic IP, Static IP, PPPoE , PPTP, L2TP
- **Network Monitor:** ICMP/DNS Query

Protocol

- **LAN & VLAN:** DHCP Server/Relay , Port/Tag based VLAN
- **IPv6*:** Dual Stack, Static IPv6, DHCPv6, PPPoEv6
- **Port Forward:** Virtual Server, Virtual Computer, DMZ, VPN Pass-through
- **Routing:** Static, Dynamic- RIP1/RIP2, OSPF, BGP
- **QoS*:** Policy-based Bandwidth Control and Packet Flow Prioritization

Security

- **VPN Tunneling:** IPSec, OpenVPN, PPTP, L2TP, GRE
- **Scenario:** Site/Host to Site/Host; Hub and Spoke; Dynamic VPN
- **VPN Capability:** IPSec: up to 16 tunnels
- **Firewall:** SPI Firewall with Stealth Mode, IPS
- **Access Control:** Packet Filter, URL Blocking, MAC Filter

Object

- **Scheduling:** Time Schedule List
- **Grouping:** Host Grouping List
- **Ext. Server:** Email, Syslog, RADIUS, SCEP, FTP, DDNS, IGMP
- **Certificate:** My Certificate, Trusted Certificate, Issue Certificate

Administration

- **Configuration:** Web UI, CLI, Command Script, Python
- **Management:** SNMPv3 Std. & AMIT MIB , TR-069
- **System:** Upgrade, Backup & Restore, Reboot & Reset, SysLog
- **Diagnostic:** Packet Analyzer, Diagnostic Tools

Service

- **Cellular Toolkit:** Data Usage, SMS, SIM PIN, USSD, Network Scan
- **Event Handling:** User Defined Manage/Notify Event; SMS, Mail, Syslog, SNMP Trap, System HW

Environment

- **OP/Store Temp.:** -30°C ~ 60/70°C ; -40°C ~ 85°C
- **Humidity:** 10%~95% (non-condensing)
- **Enclosure:** Metal, Bracket /Din-Rail
- **Dimension:** 62x125x160mm

Certificate - CE

- Standards & Regulation
- EMI: EN 55032: 2015 +AC: 2016 Class B
- EMS: EN 55024, EN 61000-4 , EN61000-6
- Radio: EN 301 489, EN 300 328 ,EN 301 893, EN50385
- Safety: EN 60950-1, EN 62368-1

Package Accessory

- 1*Device
- 1* 8 Pins Terminal Block
- 1*4 Pins Terminal Block
- 1*DIN Rail Kit, 1*Screw Bag
- 1*CD (User Manual)
- 1* RJ45 Cable

SKU Information:

IDG851-LT001-00-yy : LTE Cat.4

'yy': Area Variant. As below table

yy	Skew	Band	Module Certi.	System Cert.
E0	EU Taiwan	B1/3/7/8/20/28	CE,GCF NCC	CE
U0	US	B2/B4/B5/B12/B13/B14/B 66/B71	PTCRB, AT&T Veizon	TBC
J0	Japan	B1/8/9/18/19/21/41	Telec, NTT,KDDI, Softbank	Telec
C0	China	B3/39/40/41	MII, SRRC	TBC
A0	Australia	B1/3/5/7/28/40	RCM	TBC

Comment

- Specifications are subject to change without prior notice..
- Besides CE, region Certification need to check for availability.

Mechanic Drawing

• Front View



• Back View



AMIT Wireless Inc.

TEL: +886 (0)6 505 8026 FAX: +886 (0)6 505 8068

Web: <http://www.amitwireless.com> Email: sales@amit.com.tw

No. 28, Lane 31, Huandong Rd., Sec. 1, Xinsih Dist., Tainan City 74146, Taiwan (R.O.C.)